

The **Rejistor** is a precision-adjustable passive resistor enabling precise, in-circuit, analog calibration in a revolutionary way. The **Rejistor** can be adjusted and fixed to 0.1% precision (or better) using electrical signals. The adjustment process provides precise control of the resistance of each resistor in the pair for set-on-test applications.

Precise adjustment of the resistance of the **Rejistor** is accomplished by means of a proprietary procedure which semi-permanently adjusts the resistive poly-silicon element in a closed-loop system under control of **Rejistor** Calibration tools and Rejust-it software. The adjustment process is typically complete within 1-2 second.<sup>1</sup>

Adjustment changes the physical properties of the resistors. No external memory or boot-up is required. The material is physically altered to have a new electrical response. After adjustment, the **Rejistor** is stable in the range from -55°C to +125°C.

Resistance can be matched to within 0.1%, or better, of the target value. The **Rejistor** is ideal for gain setting, offset and bias adjustment, voltage adjustment and a variety of high-precision analog applications. The **Rejistor** features the lowest noise and the widest bandwidth of any adjustable resistor technology.

Each Low-TCR **Rejistor** is temperature stable, maintaining 0ppm/K ±100ppm/K TCR across the adjustment range.

The **Rejistor** is available in 16-pin QFN packages. All Microbridge products are RoHS, Pb-free and green.

## BENEFITS

- Precise electrical in-circuit adjustment
- Externally adjust or calibrate parameters on circuits or sensors at final assembly
- Adjustment process isolated from circuit allowing true in-circuit calibration
- Single chip solution to calibrate voltages, currents, offsets, gains, etc.
- No mechanical moving parts, ideal for vibration sensitive applications
- Improved reliability, dependability; dust and moisture resistance over mechanical parts
- Dynamic adjustment provides cost and labor savings
- Eliminates labor-intensive select-on-test adjustment
- Flexibility reduces rework cost
- Potential for multiple adjustments
- Lowest noise and widest bandwidth of any adjustable resistor technology
- In-circuit adjustment allows system calibration after encapsulation or packaging

## ELECTRICALLY ADJUSTABLE 9.0KΩ RESISTOR

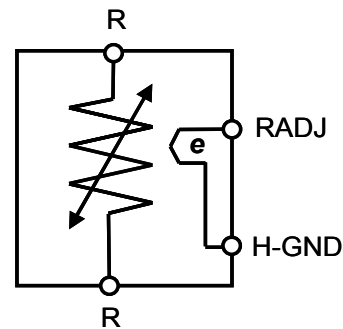


Figure 1: Functional Schematic Diagram

PARAMETER	SPECIFICATION
Resistance (as-manufactured)	9.0KΩ
Minimum adjustable resistance	6.3KΩ
Adjustment Precision	0.1% or 0.01% <sup>1</sup>
TCR	0±100ppm/K
Rated Power	0.5mW

## FEATURES

- The resistance of the **Rejistor** is electrically adjustable to any value from its as-manufactured value down 30% (e.g. 9.0KΩ down to 6.3KΩ), with accuracy 0.1% or better
- Bi-directional, continuous value adjustment within active range
- Long Term Stability 0.5%, see Table 5
- Stable Temperature Coefficient as resistance is adjusted - TCR: 0±100ppm/K
- Suitable for operation from -55 to +125°C, refer to Table 2
- Low noise: Typ. -15dB
- Passive device requires no power during operation
- In-circuit adjustable at wafer, component, board or system level
- QFN 16-pin package
- RoHS, Pb-free and green packages

## APPLICATIONS

- Anywhere precision calibration is required
- Gain control and offset adjustment
- Reference voltage and current adjustment
- Precision Voltage Regulator calibration
- Filter tuning
- RF Amplifier biasing
- Opto-electronics
- Frequency Control devices
- Mechanical or digital potentiometer replacement
- Suitable for high-frequency applications

<sup>1</sup> Adjustment precision is limited by temperature control, accuracy of measurement and adjustment equipment and may increase adjustment time

**Table 2: RATINGS – Rejustors**  $0^{\circ}\text{C} < T_A < +70^{\circ}\text{C}$  and rated power; unless otherwise noted.

Item	Conditions	Typical Specifications
Maximum Power		5 times rated power
Nominal Resistance R1		9,000 $\Omega$
R1 Rated Power		0.5mW
Operating Temperature	As specified in this datasheet	0°C to +70°C
	As specified in Application Note “ <b>Rejustor</b> Operating Guidelines for -55 to +125C Operation”	-55 to +125°C
	Beyond -55 to +125°C	Contact Microbridge
Isolation Voltage (between any pins)	Subject to power limits	25V
<b>Rejustor</b> Self-heating Coefficient of Resistance		+4000 ppm/mW $\pm$ 20%
Total Resistance Tolerance		As-manufactured resistance is $\pm$ 10% from nominal
Nominal Adjustment range		+0 to -30% from as-manufactured

**Table 3: TCR CHARACTERISTICS – Individual Rejustors**  $0^{\circ}\text{C} < T_A < +70^{\circ}\text{C}$ ; unless otherwise noted.

Characteristics	Specification (Worst Case)	Test Method or Conditions
Temperature Coefficient Unadjusted Adjusted	0 $\pm$ 100ppm/K 0 $\pm$ 100ppm/K	
Change in Temperature Coefficient	$\pm$ 50ppm/K	TCR change in adjusted device relative to unadjusted device, by analysis

**Table 4: PACKAGE ELECTRICAL CHARACTERISTICS**

Characteristics	Specification (Typical)	Test Method or Conditions
QFN Capacitive Loading	0.7pF	Per package pin, by analysis at 100MHz
QFN Mutual Capacitance	0.1pF	By analysis at 100MHz

**Table 5: RELIABILITY DATA**

Characteristics	Limit	Test Method or Conditions
Thermal Shock/ Cycling	+ 0.5% <sup>2</sup>	JESD22-A104, -65°C to 125°C, 1000 cycles at 2 cycles/hour
Overload	+ 0.5% <sup>2</sup>	MIL-R-55342H Par 4.8.6 (Rated Voltage x2.5, 5sec.), Rated voltage based on 0.5mW rated power $V = \sqrt{PR}$
High Temperature Exposure (long-term stability)	+ 0.5% <sup>2</sup>	JESD22-A103 150°C, 1000hrs
Humidity and Moisture Resistance	+ 0.8% <sup>2</sup>	JESD22-A101, 85% RH, 85°C, 1000hrs
Operational Life Test	+ 0.5% <sup>2</sup>	JESD22-A108, 125°C, 1000 hrs., static operation at rated power
Shock	$\pm$ 0.1%	500G, 1ms duration, X,Y,Z axes each 5 shocks
Vibration, High Frequency	$\pm$ 0.1%	Max acceleration 20G, 20~2000~20Hz, 8 min, X,Y,Z each 4 sweeps

<sup>2</sup> Where indicated, drift specifications refer to resistance drift in the positive direction. Best performance is achieved at adjustments larger than 10% down from the as-manufactured resistance.

**Table 6: MANUFACTURABILITY DATA**

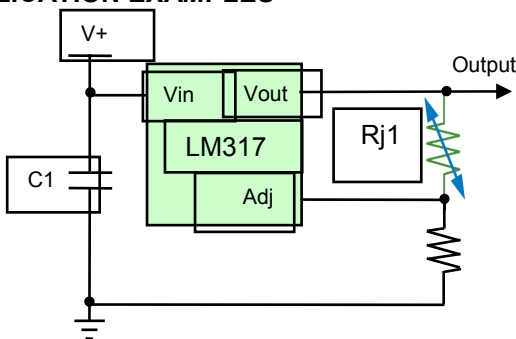
Characteristics	Test Method or Conditions
ESD Discharge	JESD22-A114, human body model weakest pin pair testing, all lead combinations. Class 1A
Solderability/Preconditioning	J-STD-020C, MSL1, 260°C convection reflow for QFN-16 packages

**PACKAGING OPTIONS**

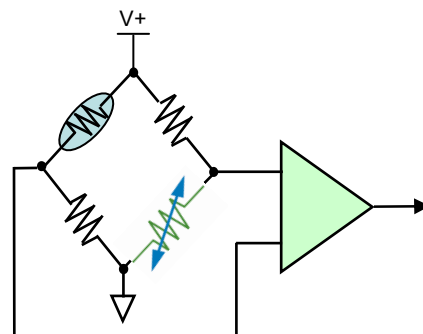
**Table 7: NOMINAL PACKAGE DIMENSIONS**

Type	Lead Count	Body Width	Body Length	Lead Pitch	Lead Width	Lead Length	Body Thickness	JEDEC/ EIAJ
QFN	16	3.0mm	3.0mm	0.5mm	0.25mm	0.4mm	0.85mm	MO-220

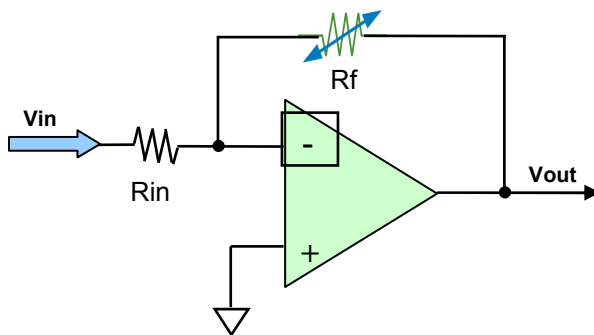
**APPLICATION EXAMPLES**



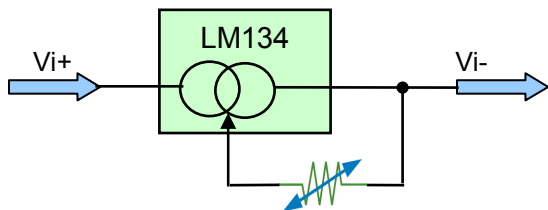
**Figure 2: Voltage Regulator Application Circuit**



**Figure 5: Sensor Offset Correction**



**Figure 3: Basic Op Amp Application**



**Figure 4: Adjustable Temperature Sensor**

## FUNCTIONAL DESCRIPTION

Microbridge **Rejutors** represent a technology revolution in resistive adjustment for precision electronic systems. The ability to precisely set the resistance of the **Rejutor** provides independent, precision adjustment in a continuous range for in-circuit, set-on-test adjustment in a wide variety of analog electronic circuits and systems.

**Rejutors** are adjusted in-circuit to meet the precise requirements of the application. For example, the **Rejutor** can be adjusted to provide an output voltage (Figure 2) or adjust a gain setting (Figure 3). In all cases, the exact resistance value of the **Rejutor** is less important than final operating value of the circuit being adjusted. The **Rejutor** is the only pure-passive resistive element that can be adjusted at final assembly, using only electrical signals. Furthermore, unlike laser-trimmed resistors, **Rejutors** can be adjusted bi-directionally.

**Rejutors** are adjusted using **Rejutor** Calibration Tools, such as the MBK-408A – Low cost, high-precision **Rejutor** Calibration tool. **Rejutors** can also be adjusted with a high-volume, high-precision Calibration tool based on the National Instruments NI-DAQ chassis.

During the calibration process, the **Rejutor** is connected to the **Rejutor** Calibration Tool, or equivalent hardware<sup>3</sup>. The Calibration tool provides the electrical connections to monitor the circuit output behavior and drive power into the Adjustment pins of the **Rejutor**. Power applied to the Adjustment pins controls the heating and cooling process which in-turn changes the resistance. Refer to Figure 6 for a sample connection between the MBK-408A **Rejutor** Calibration tool and the **Rejutor**. This connection to the calibration tool is only required during the adjustment step.

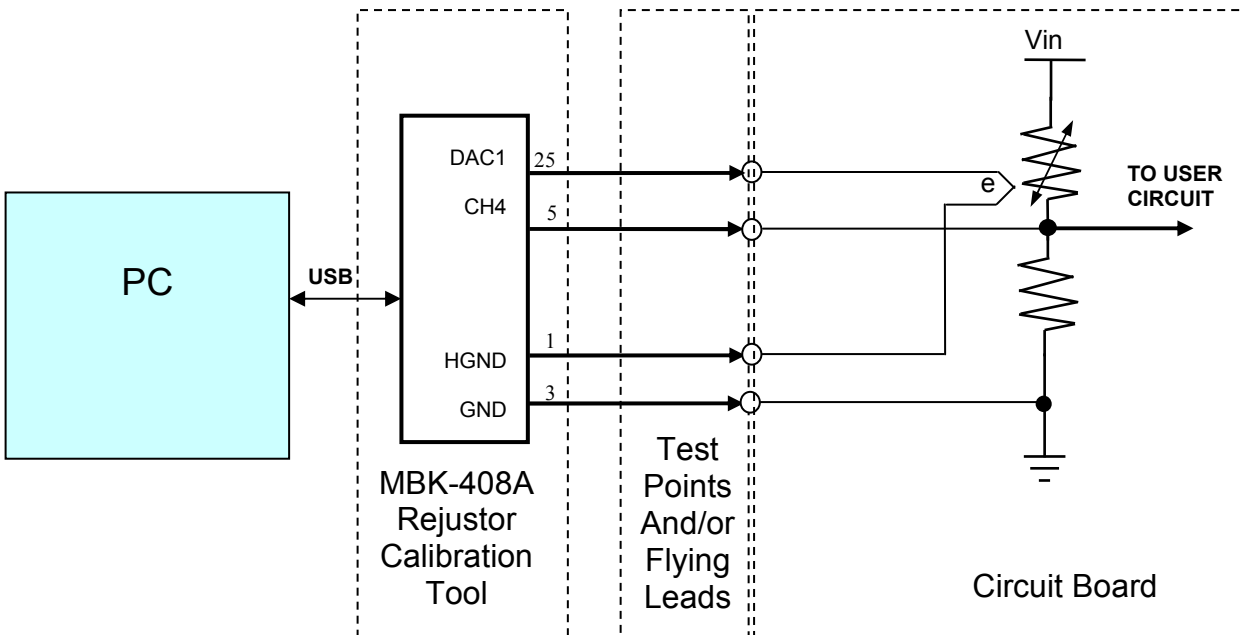


Figure 6: **Rejutor** Hardware Connection

Rejst-it software, provided as part of the **Rejutor** Calibration Tool is LabVIEW-based executable that controls the adjustment process using the **Rejutor** Calibration Tool in a closed-loop feedback system. **Rejutors** are automatically adjusted to the target values, as specified in the graphical user interface. A sequence of electrical heating pulses, governed by Microbridge's proprietary algorithms, is enough to fine-tune the material properties within approximately 1-2 second for most applications.

After adjustment, the circuit is disconnected from the **Rejutor** Calibration tool. The **Rejutor** does not require active power to maintain its adjusted resistance. The material properties of the **Rejutor** are altered to affect the current flow, which means the resistance is changed. **Rejutors** are intended for set-and-forget applications that involve factory calibration. The devices can be adjusted dozens-of-times, as required for periodic maintenance.

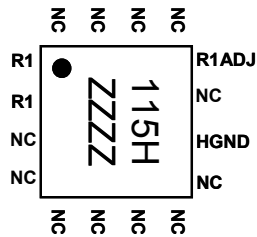
<sup>3</sup> Using Microbridge's scalable production-calibration hardware (based on the NI-DAQ platform from National Instruments) and Rejst-it software, multiple units can be calibrated simultaneously during roughly the same amount of time for high-volume applications.

The resistive element of the **Rejustor** is electrically isolated from both substrate and Adjust (heater) pins and can therefore float, electrically.

Adjusted **Rejustors** are highly stable and retain their electrical and temperature performance characteristics indefinitely. **Rejustors** can be adjusted many times, bi-directionally without compromising stability or performance. **Rejustors** also feature the lowest noise and the widest bandwidth of any adjustable resistor technology.

Microbridge **Rejustors** are an electrical replacement for mechanical compensation techniques. They replace manual trim pots, digital pots and laser trimming. The Microbridge Technologies Low-TCR **Rejustor** family of electrically adjustable micro-resistors can be matched to values for precise control of sensors, voltage regulators, amplifiers and other applications.

**PIN CONFIGURATION**



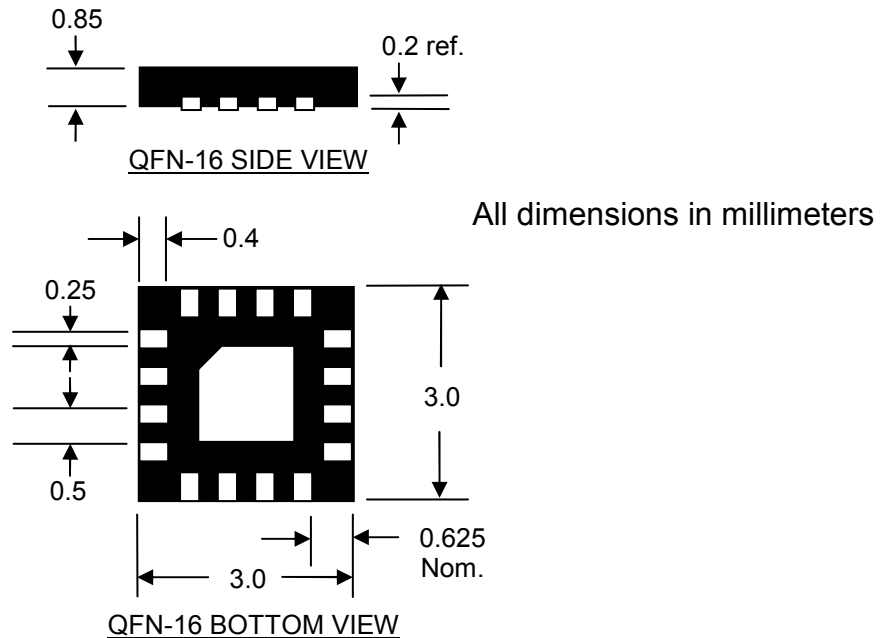
**Figure 7: Pin Configuration, 16-pin QFN package (3x3mm)**

**PIN FUNCTIONAL DESCRIPTION**

**Table 8: Pin Function Descriptions**

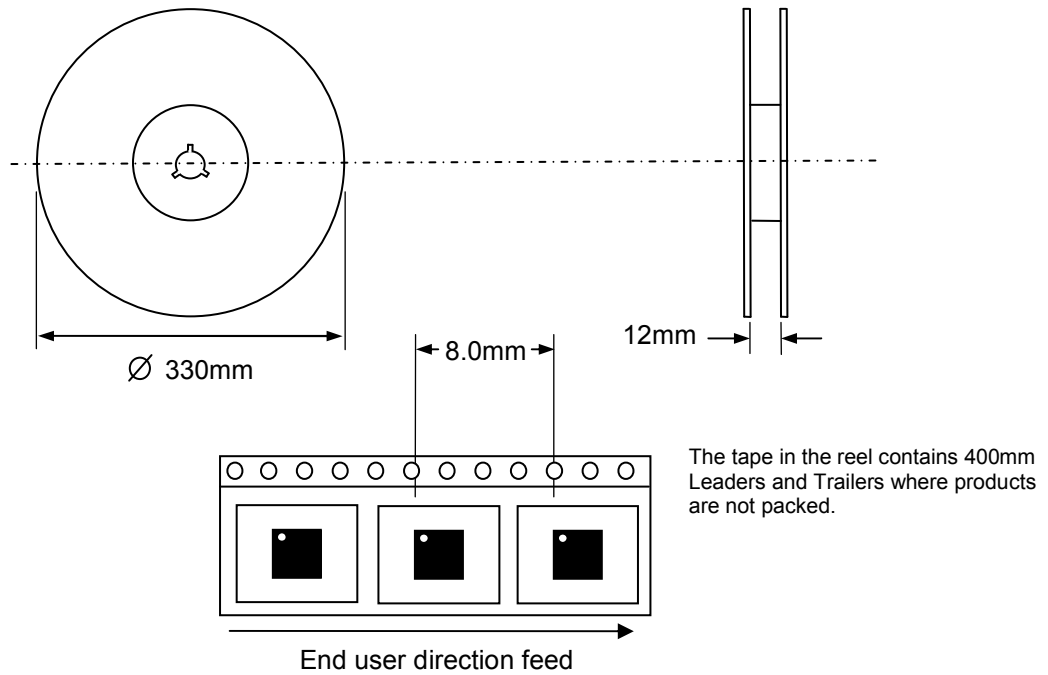
Mnemonic	Description	16-Pin QFN Pin No.
R1	Rejistor 1 Terminal	1
R1	Rejistor 1 Terminal	2
HGND	Heater Ground – only required during adjustment. Can be shared with system ground	10
R1ADJ	Rejistor 1 Adjust Input – only required during adjustment	12
NC	No Connect	3, 4, 5, 6, 7, 8, 9, 11, 13, 14, 15, 16

**Note: QFN Package – Ground pad is not connected.**



**Figure 8: Package Dimensions**

**TAPE CARRIER PACKAGING**



The tape in the reel contains 400mm Leaders and Trailers where products are not packed.

**Figure 9: Tape Carrier Dimensions**

**Table 9: ORDERING INFORMATION**

Part Number	Order Code	Package	Part Marking <sup>4</sup>	Delivery	Quantity
MBS-902-AS	115H	QFN-16	115H-zzzz	Tape and Reel	3000 <sup>5</sup>

**NOMINAL VALUES AVAILABLE**

The following additional Single **Rejutors** are available with similar performance specifications. Consult the individual datasheet for more information.

Part Number	Resistance R1 Value ( $\Omega$ )	QFN Order Code
MBS-472-AL	4700	115F
MBS-902-AL	9000	115H
MBS-153-AL	15,000	115J
MBS-333-AL	33,000	115L

**Please check with Microbridge Technologies Inc prior to design to ensure you have the latest revision of the datasheet for this part**

<sup>4</sup> Where ZZZZ represents the 4-digit date code

<sup>5</sup> Sample quantities are available in tubes